

MTSQ

Motion Technology Squat Press

Contents

Squat Press Assembly

Top Assembly

Top Assembly Parts and Descriptions

Top Assembly Pads

Shoulder Pad Frame

Seat Frame

Belt Routing

Link Assembly

Foot Board Mount Sub-Assembly

Base Frame Assembly

Right Side Frame

Right Side Frame Decals and Stickers

Right Side Frame Parts and Descriptions

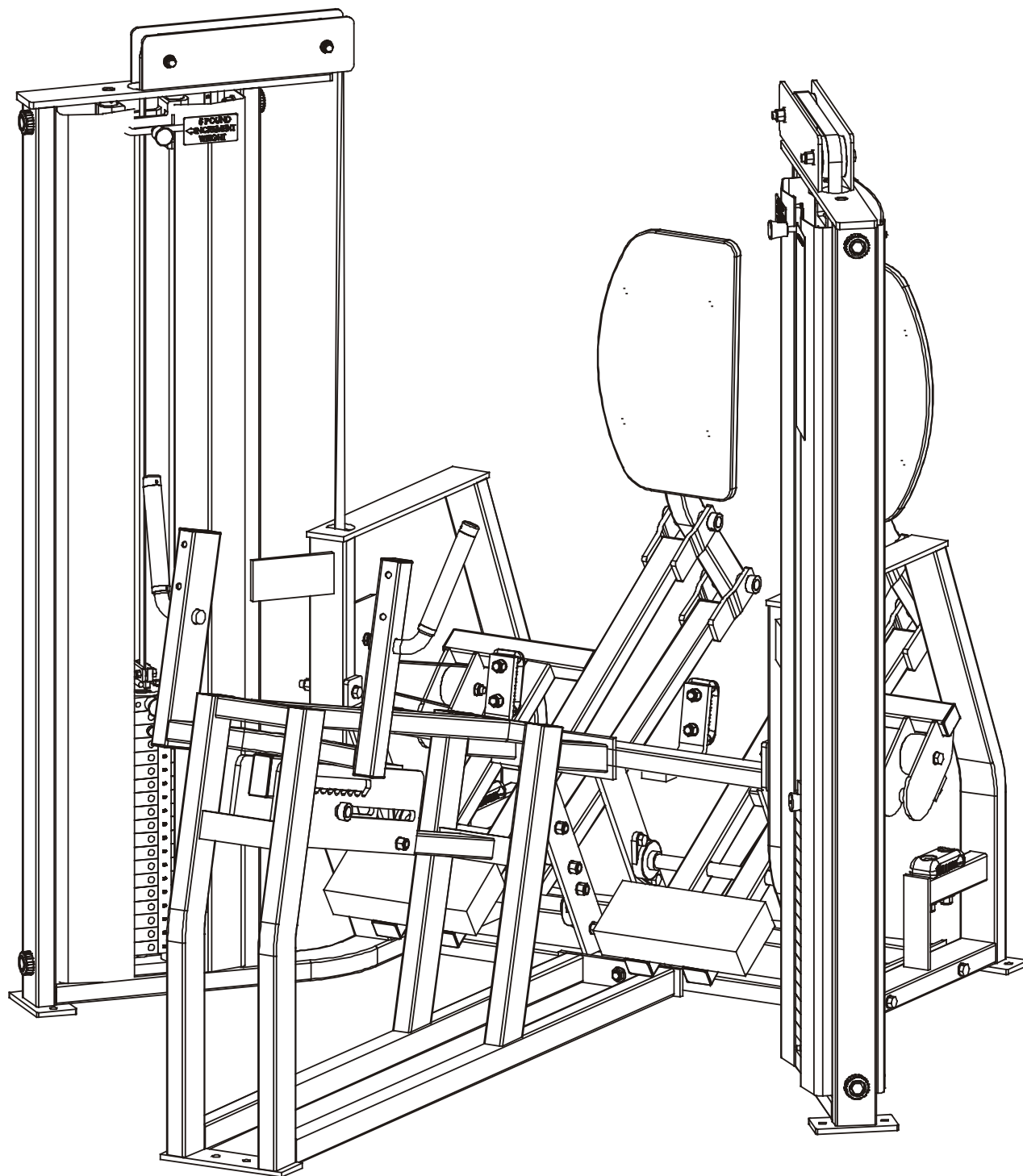
Right Movement Arm

Left Side Frame

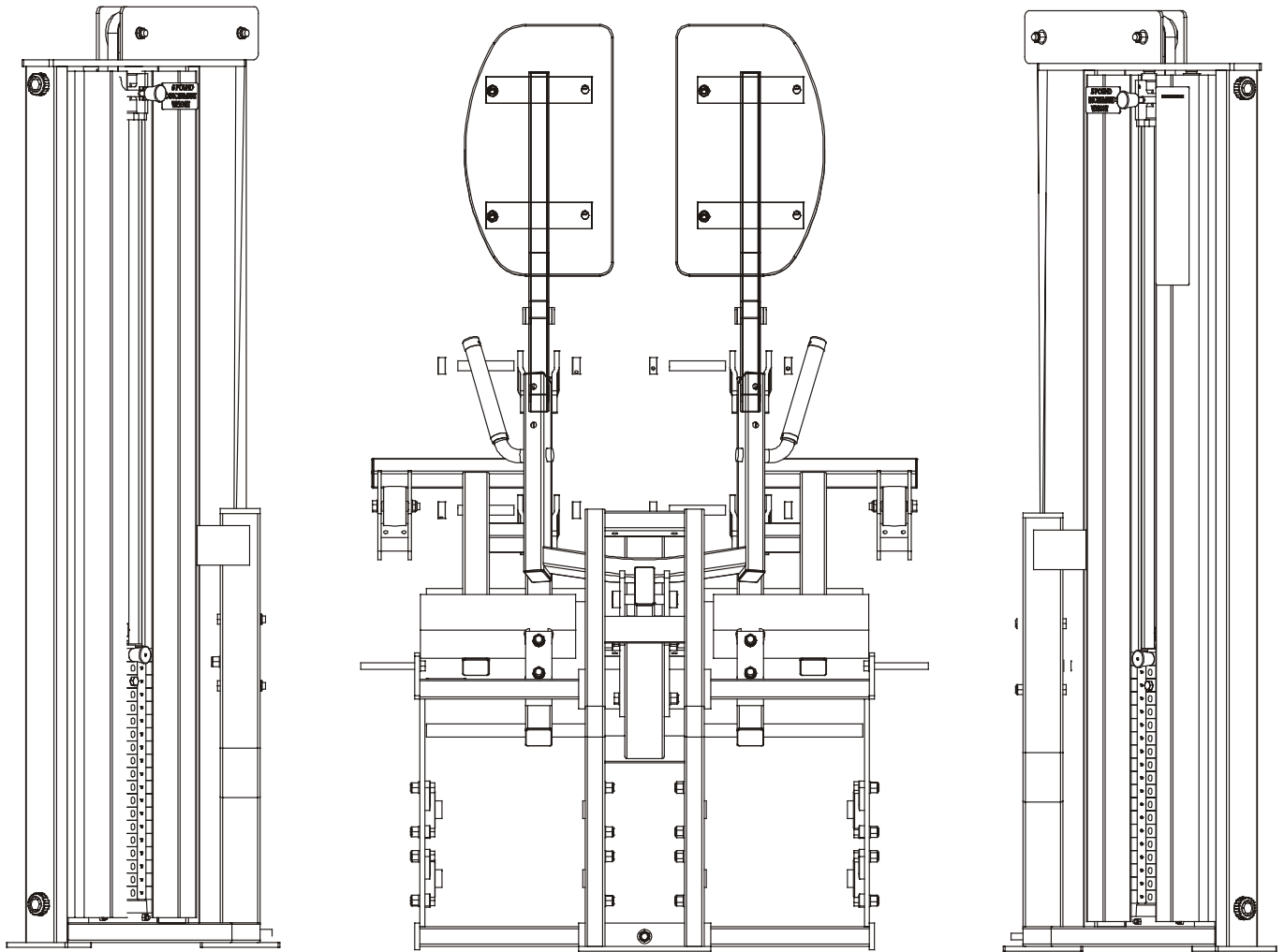
Left Side Frame Decals and Stickers

Left Side Frame Parts and Descriptions

MTSQ-Motion Technology Squat Press Squat Press Assembly



MTSQ-Motion Technology Squat Press Top Assembly

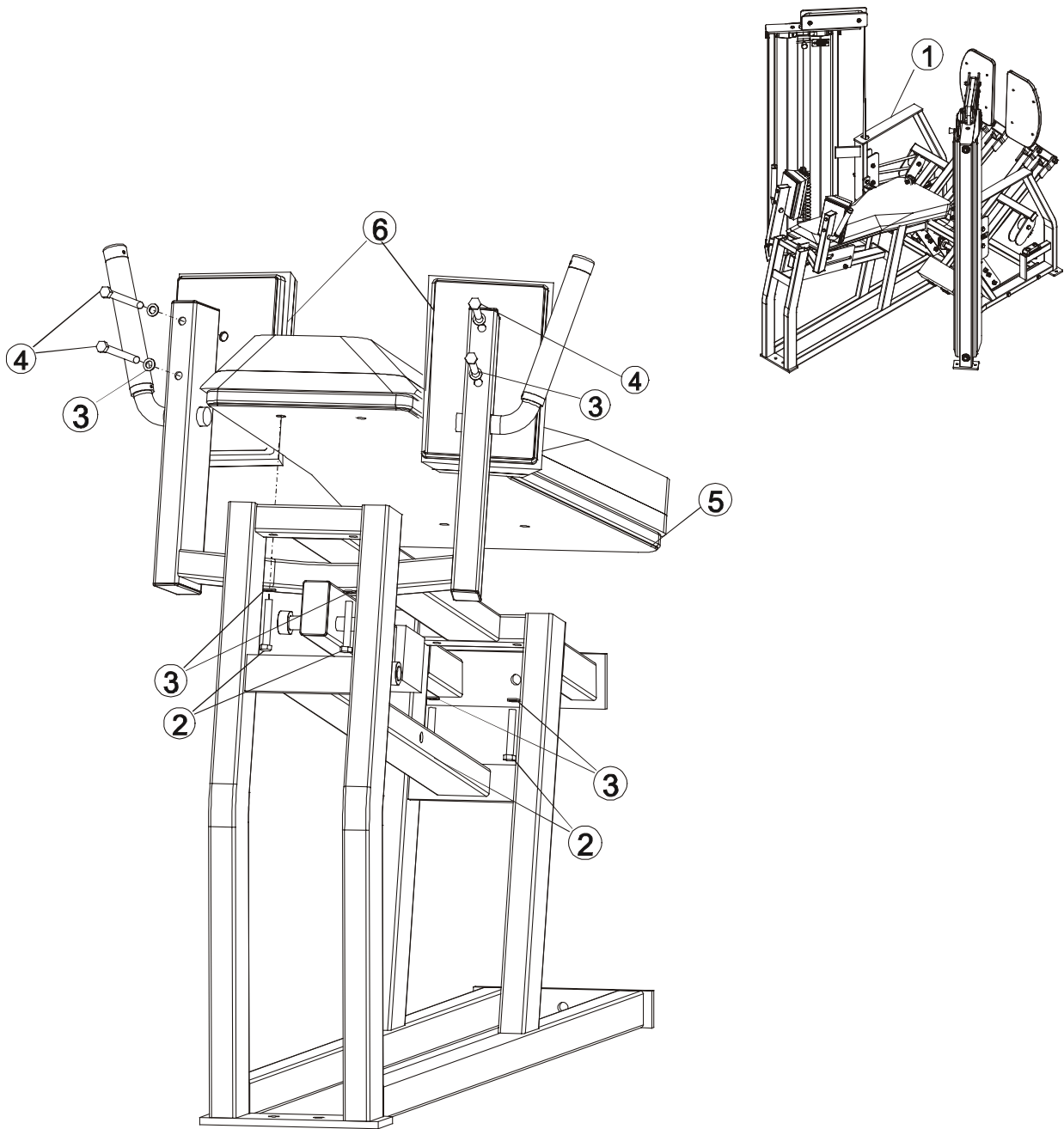


NOTE: Top Assembly Callouts Pending PASO Engineering

MTSQ-Motion Technology Squat Press Top Assembly Parts and Descriptions

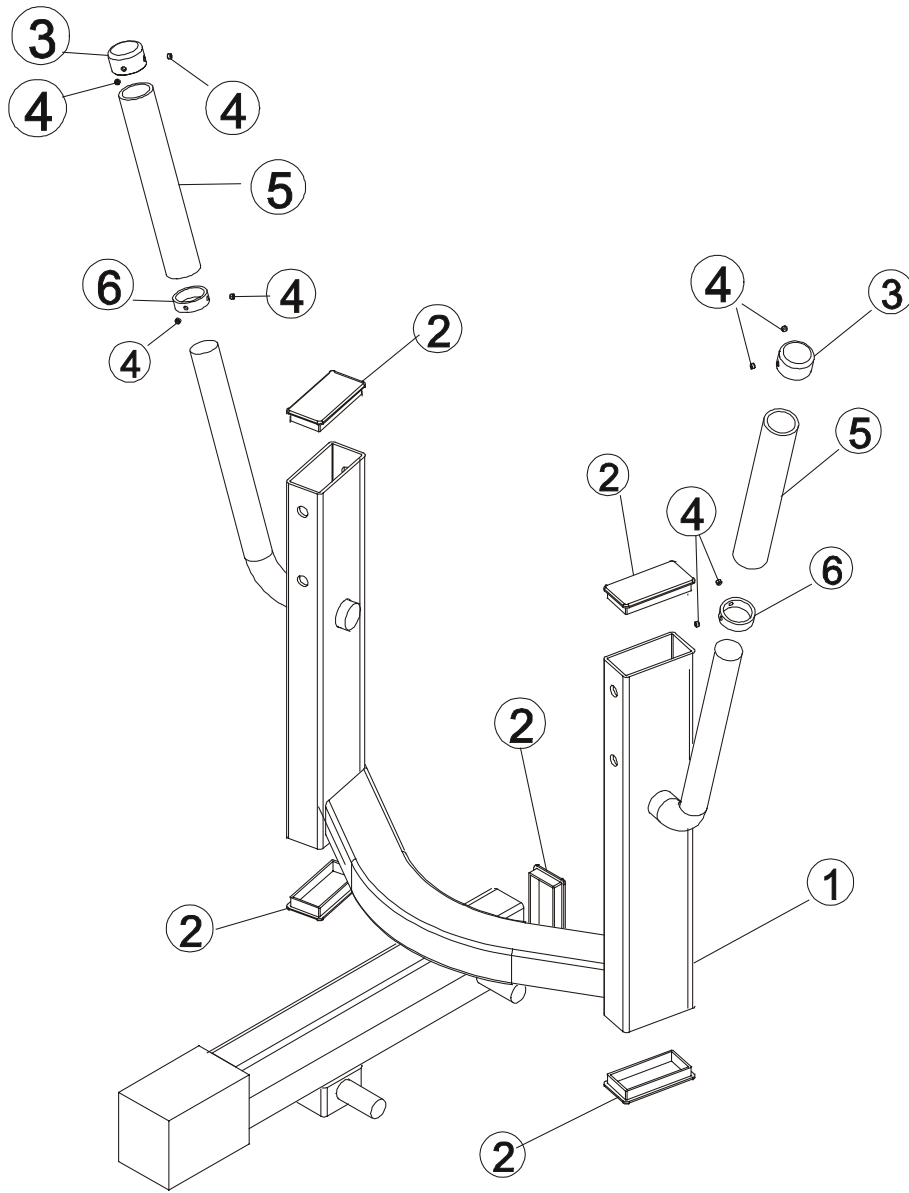
ITEM NO.	QTY.	PART NO.	DESCRIPTION
1	1	MTSQ-A0001	Base Frame Assembly
2	1	MTSQ-A0003	Seat Frame Assembly
3	1	MTSQ-A0004	Left Side Frame Assembly
4	1	MTSQ-A0005	Right Side Frame Assembly
5	1	MTSQ-A0006	Right Movement Arm Assembly
6	1	MTSQ-A0007	Left Movement Arm Assembly
7	1	0017-00033-0855(MTSQ)LT	MTSQ STRAP (152.50")
8	28	0017-00104-0379	1/2" Internal Lock Washer
9	6	0017-00103-0224	1/2" Thin Lock Nut
10	4	0017-00101-1580	1/2 X 4 Bolt
11	18	0017-00103-0223	1/2" Thick Lock Nut
12	2	0017-00101-1579	1/2 X 4 1/2 Bolt
13	4	0017-00104-0311	1/2" SAE Flat Washer
14	2	0017-00101-1582	1/2 X 3 Bolt
15	1	0017-00033-0855(MTSQ)RT	MTSQ STRAP (152.50")
16	8	0017-00009-1034	Small Bearing
17	16	0017-00101-1584	1/2 X 1 1/2 Bolt
18	2	MTSQ-A0009	M.A. LINK ASSEMBLY
19	2	MTSQ-A0008	Right Footboard Mount Assembly
20	4	0K50-P1158	Foot Pad Frame Shaft
21	8	0017-00009-1019	3/4" Lock Collar
22	1	M051-00299-A000	HAMMER PATENT DECAL
23	2	MTSQ-P0038	MTSQ-FOOT BOARD
24	8	0017-00104-0313	3/8" SAE Flat Washer
25	8	0017-00101-1464	3/8 X 1 Bolt

MTSQ-Motion Technology Squat Press Top Assembly Pads



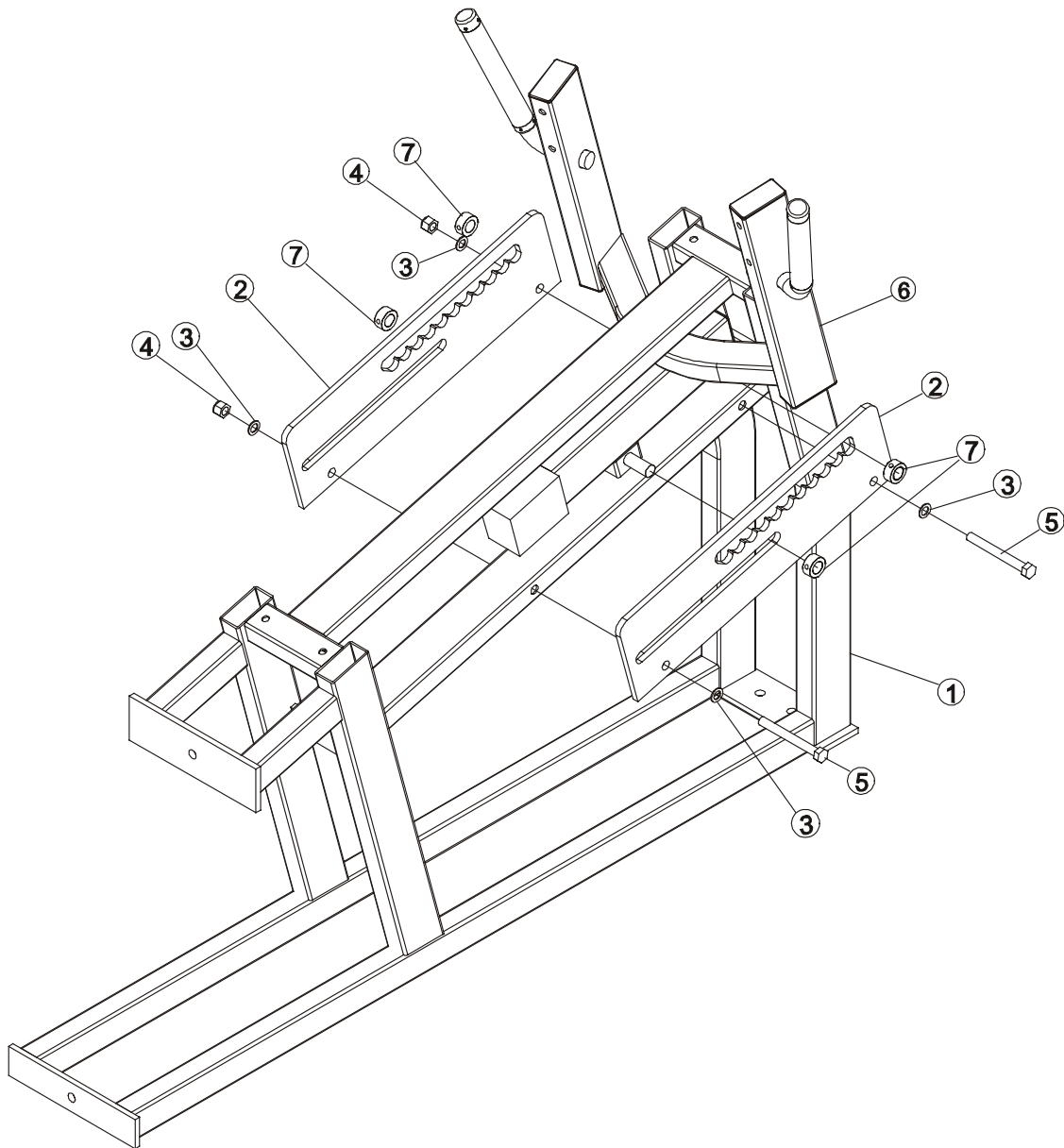
ITEM NO.	QTY.	PART NO.	DESCRIPTION
1	1	MTSQ-A0000	MTSQ TOP ASSEMBLY
2	4	0017-00101-1417	3/8 X 2 1/2 Bolt
3	8	0017-00104-0377	3/8" Internal Lock Washer
4	4	0017-00101-1420	3/8 X 4 Bolt
5	1	0K50-US080-0000	MTSQ SEAT PAD SET
6	2	0K50-US081-0000	SHOULDER PAD SET

MTSQ-Motion Technology Squat Press Shoulder Pad Frame



ITEM NO.	QTY.	PART NO.	DESCRIPTION
1	1	MTSQ-S0003	Adjustable Shoulder Pad Frame
2	5	0017-00042-1038	1 1/2 X 3 End Cap
3	2	OK50-P0315-2000	END CAP
4	8	0017-00101-1406	10-32 X 1/8" SET SCREW
5	2	H-GRIP	HANDLE GRIP (7.50")
6	2	OK50-P0316-2000	COLLAR, ALUMINUM

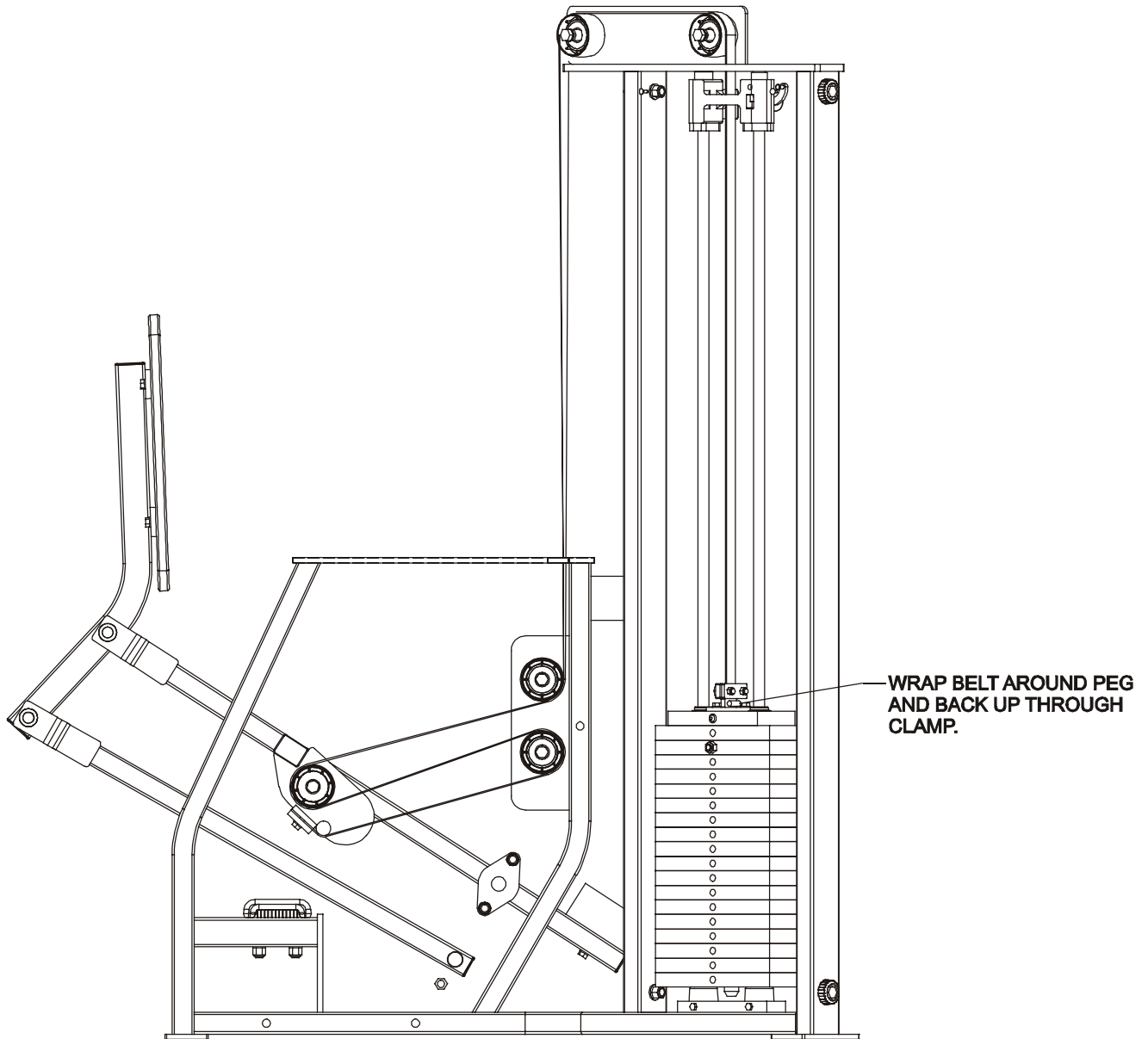
MTSQ-Motion Technology Squat Press Seat Frame



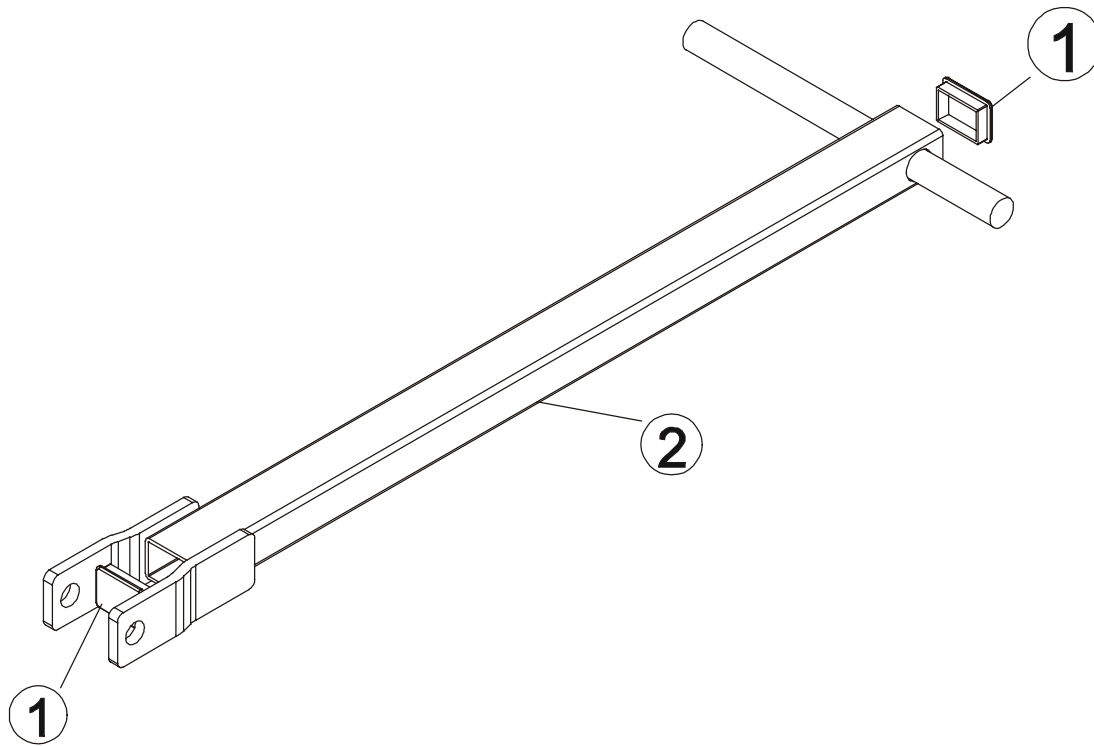
ITEM NO.	QTY.	PART NO.	DESCRIPTION
1	1	MTSQ-S0002	Seat Frame
2	2	MTSQ-P0030	Seat Adjustment Rack
3	4	0017-00104-0379	1/2" Internal Lock Washer
4	2	0017-00103-0223	1/2" Thick Lock Nut
5	2	0017-00101-1579	1/2 X 4 1/2 Bolt
6	1	MTSQ-A0002	Shoulder Pad Frame Assembly
7	4	0017-00009-1019	3/4" Lock Collar

MTSQ-Motion Technology Squat Press

Belt Routing

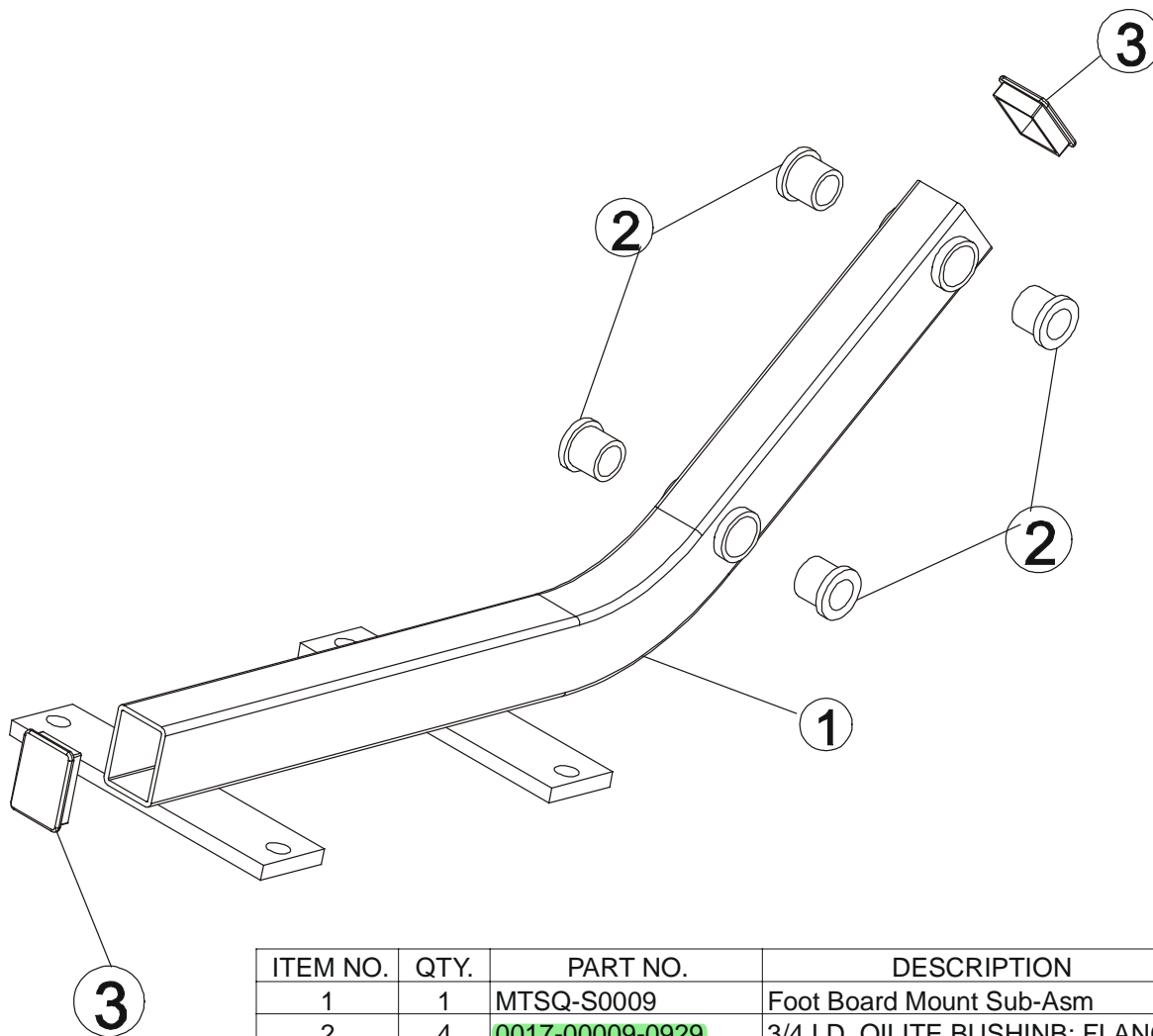


MTSQ-Motion Technology Squat Press Link Assembly



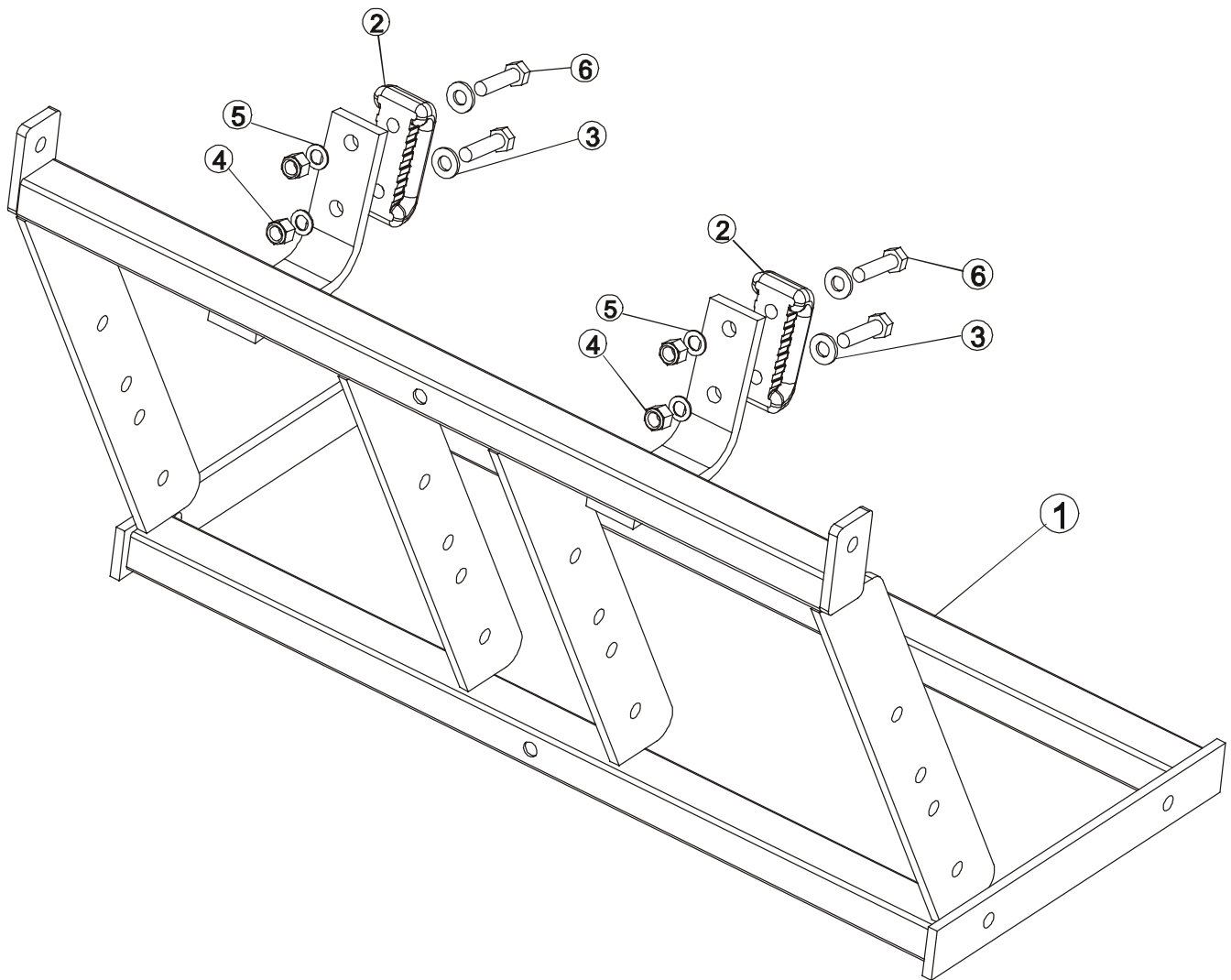
ITEM NO.	QTY.	PART NO.	DESCRIPTION
1	2	0017-00042-0945	1 1/2 X 2 Endcap
2	1	MTSQ-S0008	Movement Arm Link

MTSQ-Motion Technology Squat Press Foot Board Mount Sub-Assembly



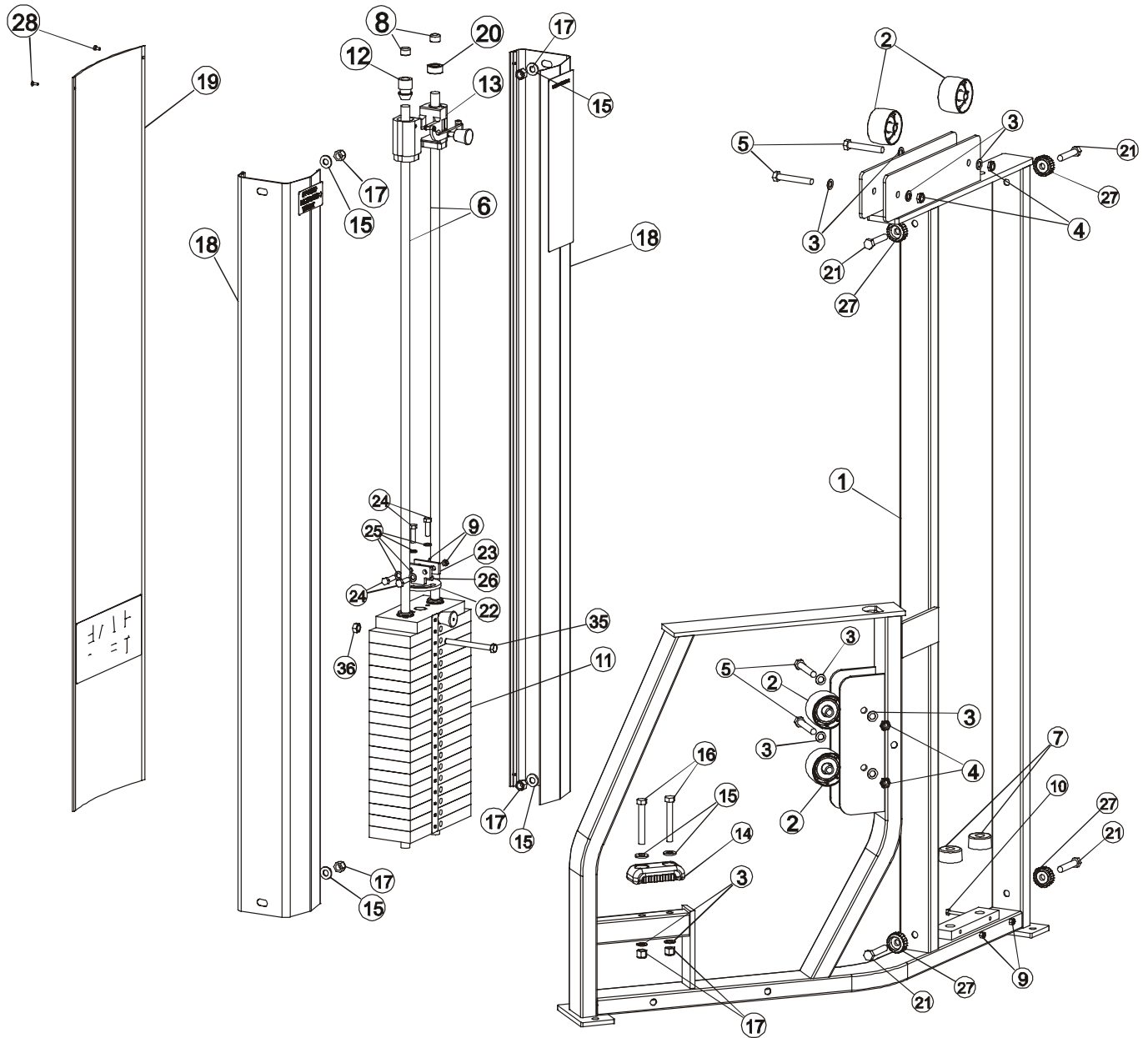
ITEM NO.	QTY.	PART NO.	DESCRIPTION
1	1	MTSQ-S0009	Foot Board Mount Sub-Asm
2	4	0017-00009-0929	3/4 I.D. OILITE BUSHINB; FLANG
3	2	0017-00042-0945	1 1/2 X 2 Endcap

MTSQ-Motion Technology Squat Press Base Frame Assembly

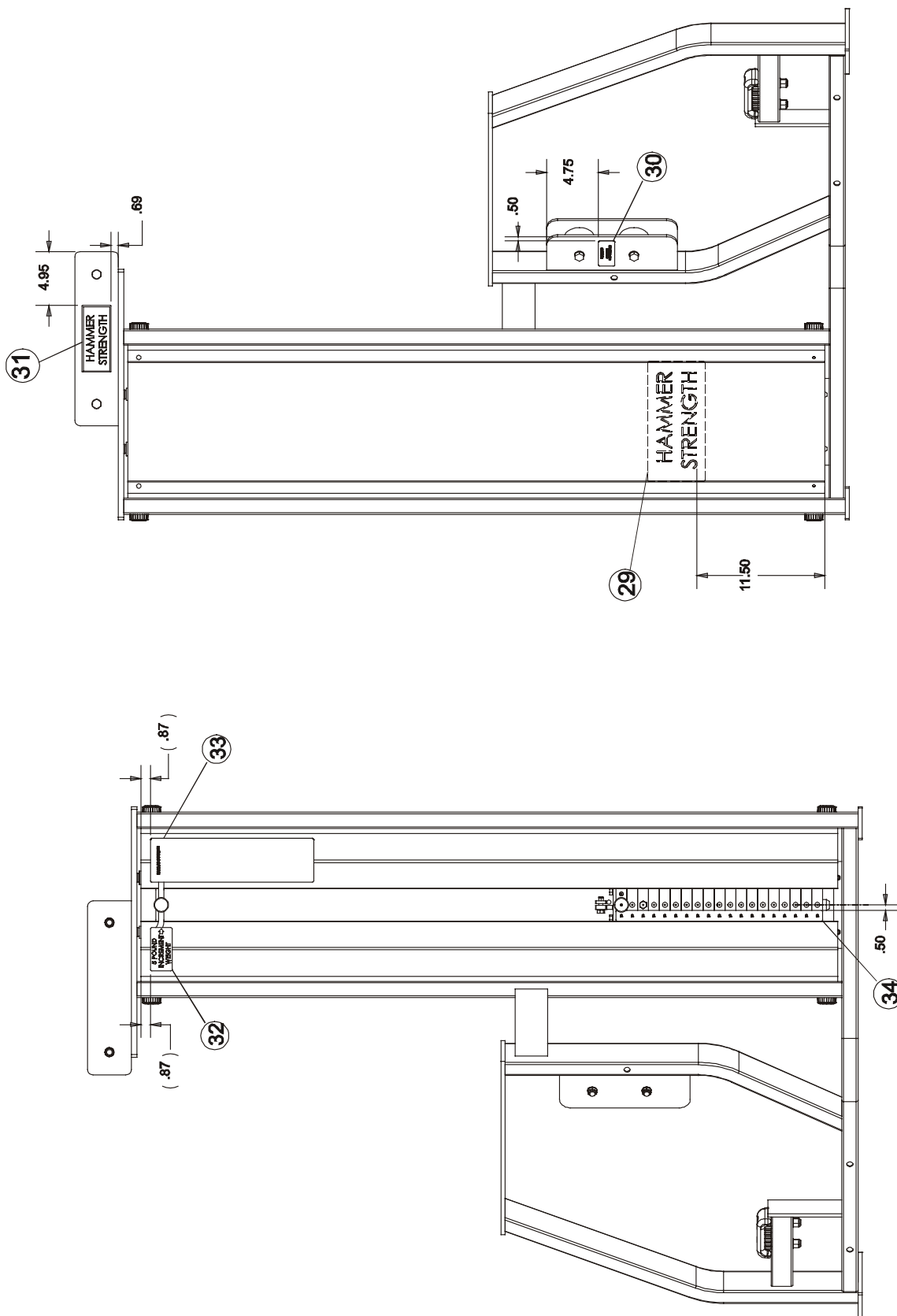


ITEM NO.	QTY.	PART NO.	DESCRIPTION
1	1	MTSQ-S0001	Baseframe
2	2	0017-00042-1040	HAMMER HEAD SMALL BUMPER
3	4	0017-00104-0311	1/2" SAE Flat Washer
4	4	0017-00103-0223	1/2" Thick Lock Nut
5	4	0017-00104-0379	1/2" Internal Lock Washer
6	4	0017-00101-1578	1/2 X 2 Bolt

MTSQ-Motion Technology Squat Press Right Side Frame



MTSQ-Motion Technology Squat Press Right Side Frame Decals and Stickers

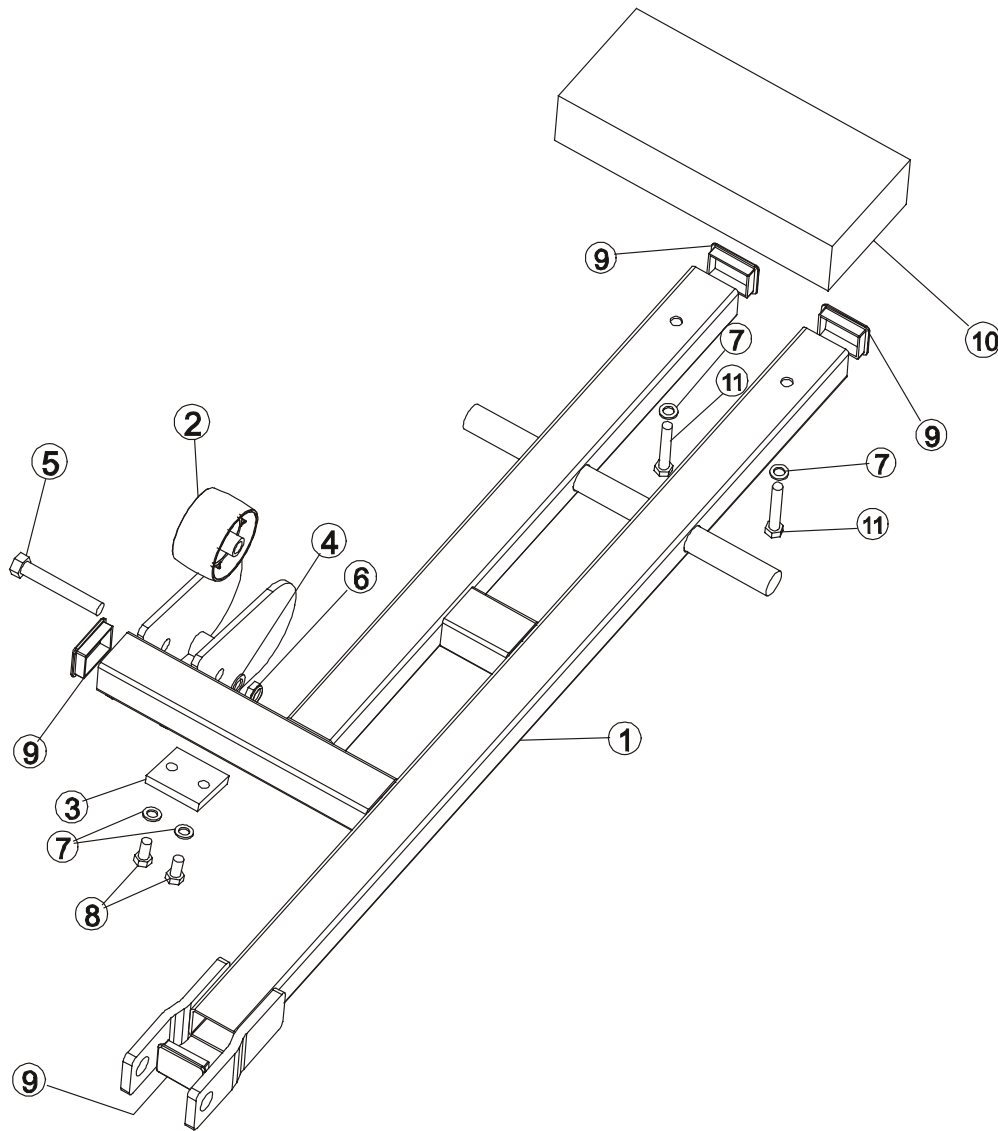


NOTE: DECALS/STICKERS CENTERED ACROSS SHIELD/TUBE.

MTSQ-Motion Technology Squat Press Right Side Frame Parts and Descriptions

ITEM NO.	QTY.	PART NO.	DESCRIPTION
1	1	MTSQ-S0005	Right Side Frame
2	4	0017-00009-1039	3" PULLEY ASSEMBLY
3	10	0017-00104-0379	1/2" Internal Lock Washer
4	4	0017-00103-0224	1/2" Thin Lock Nut
5	4	0017-00101-1574	1/2 X 3 1/4 Bolt
6	2	0017-00009-0933 (MTSQ)	MTSQ Guiderod (64.63")
7	2	0017-00042-0993	WEIGHT STACK DONUT 1" THICK
8	2	0017-00042-0967	3/4 I.D. BLACK PLASTIC ROD CAP
9	4	0017-00103-0226	1/4" Thick Lock Nut
10	2	0017-00101-1585	1/4 X 2 1/2 Bolt
11	1	AK50-WS021	MTS 190 LB WEIGHT STACK
12	1	0K50-P1110	GUIDE ROD COLLAR
13	1	AK50-S0021	Increment Weight Assembly
14	1	0017-00042-1040	HAMMER HEAD SMALL BUMPER
15	6	0017-00104-0311	1/2" SAE Flat Washer
16	2	0017-00101-1577	1/2 X 3 1/2 Bolt
17	6	0017-00103-0223	1/2" Thick Lock Nut
18	2	MTSQ-P0035	MTS SIDE SHIELD
19	1	MTSQ-P0034 (RADIUS)	MTSQ BACK PANEL
20	1	0017-00009-1019	3/4" Lock Collar
21	4	0017-00101-1572	1/2 X 2 1/2 Bolt
22	1	AK50-S0023	BELT ATTACHMENT PLATE
23	1	0K50-P1121	Strap Clamp 2
24	4	0017-00101-1412	3/8 X 1 1/4 Bolt
25	4	0017-00104-0377	3/8" Internal Lock Washer
26	1	0K50-P1132	BELT WRAP PEG
27	4	0017-00042-1041	HAMMER HEAD WASHER
28	2	0017-00101-1587	SHIELD RIVET
29	1	M051-00292-A000	HAMMER STRENGTH SHIELD DECAL
30	1	M051-00293-A000	WARNING DECAL
31	1	M051-00289-A000	HAMMER STRENGTH NAME PLATE
32	1	M051-00297-A000	INCREMENT WT. DECAL (RIGHT)
33	1	M051-00466-A000	MTSQ-INSTR. DECAL
34	1	M051-00495-A000	WEIGHT STACK NUMBER STRIP
35	1	0017-00101-1441	7/16-14X72 UNS HEX BLT G8 ZN
36	1	0017-00103-0233	1/2" Thick Lock Nut

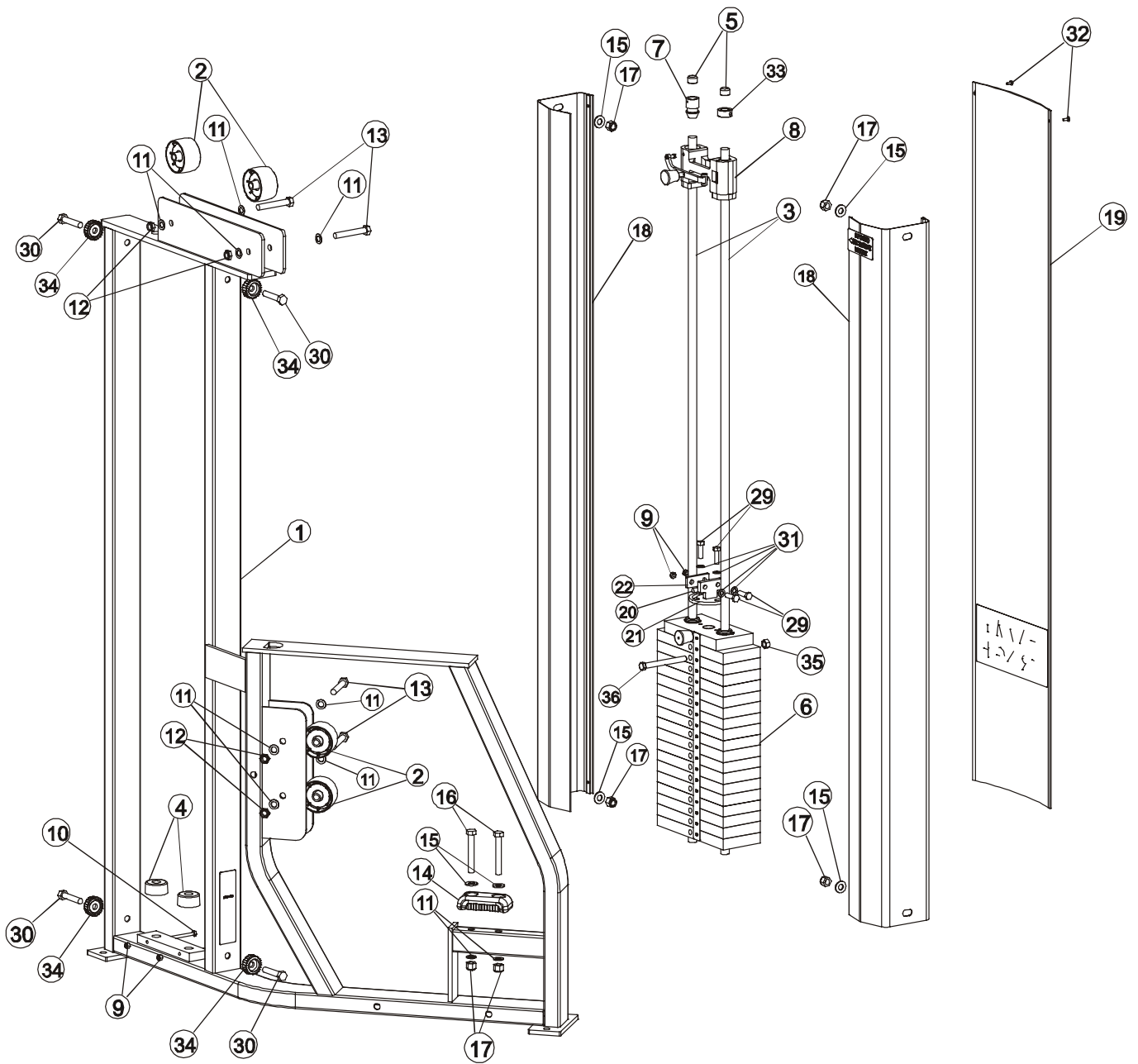
MTSQ-Motion Technology Squat Press Right Movement Arm



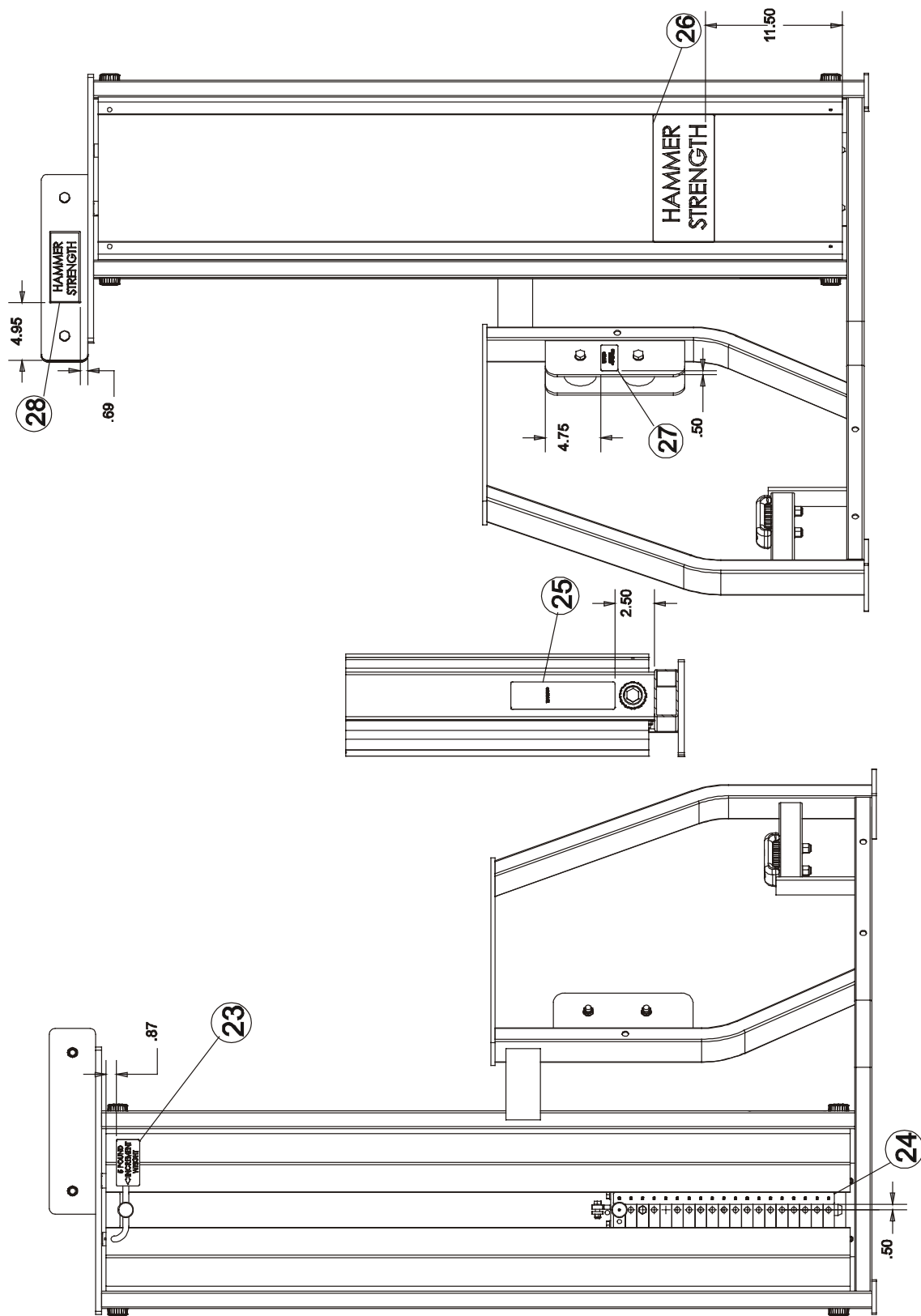
ITEM NO.	QTY.	PART NO.	DESCRIPTION
1	1	MTSQ-S0006	Right Movement Arm
2	1	0017-00009-1039	3" PULLEY ASSEMBLY
3	1	0K50-P1021	Strap Clamp 2
4	2	0017-00104-0379	1/2" Internal Lock Washer
5	1	0017-00101-1574	1/2 X 3 1/4 Bolt
6	1	0017-00103-0224	1/2" Thin Lock Nut
7	4	0017-00104-0377	3/8" Internal Lock Washer
8	2	0017-00101-1428	3/8 X 3/4 Bolt
9	4	0017-00042-0945	1 1/2 X 2 Endcap
10	1	MTSQ-P0037	COUNTERWEIGHT
11	2	0017-00101-1410	3/8 X 2 1/4 Bolt

MTSQ-Motion Technology Squat Press

Left Side Frame



MTSQ-Motion Technology Squat Press Left Side Frame Decals and Stickers



MTSQ-Motion Technology Squat Press Left Side Frame Parts and Descriptions

ITEM NO.	QTY.	PART NO.	DESCRIPTION
1	1	MTSQ-S0004	Left Side Frame
2	4	0017-00009-1039	3" PULLEY ASSEMBLY
3	2	0017-00009-0933 (MTSQ)	MTSQ Guiderod (64.63")
4	2	0017-00042-0993	WEIGHT STACK DONUT 1" THICK
5	2	0017-00042-0967	3/4 I.D. BLACK PLASTIC ROD CAP
6	1	AK50-WS021	MTS 190 LB WEIGHT STACK
7	1	0K50-P1110	GUIDE ROD COLLAR
8	1	AK50-S0021	Increment Weight Assembly
9	4	0017-00103-0226	1/4" Thick Lock Nut
10	2	0017-00101-1585	1/4 X 2 1/2 Bolt
11	10	0017-00104-0379	1/2" Internal Lock Washer
12	4	0017-00103-0224	1/2" Thin Lock Nut
13	4	0017-00101-1574	1/2 X 3 1/4 Bolt
14	1	0017-00042-1040	HAMMER HEAD SMALL BUMPER
15	6	0017-00104-0311	1/2" SAE Flat Washer
16	2	0017-00101-1577	1/2 X 3 1/2 Bolt
17	6	0017-00103-0223	1/2" Thick Lock Nut
18	2	MTSQ-P0035	MTS SIDE SHIELD
19	1	MTSQ-P0034 (RADIUS)	MTSQ BACK PANEL
20	1	0K50-P1132	BELT WRAP PEG
21	1	AK50-S0023	BELT ATTACHMENT PLATE
22	1	0K50-P1121	Strap Clamp 2
23	1	M051-00298-A000	INCREMENT WT. DECAL (LEFT)
24	1	M051-00495-A000	WEIGHT STACK NUMBER STRIP
25	1	M051-00335-A000	WARNING DECAL
26	1	M051-00292-A000	HAMMER STRENGTH SHIELD DECAL
27	1	M051-00293-A000	WARNING DECAL
28	1	M051-00289-A000	HAMMER STRENGTH NAME PLATE
29	4	0017-00101-1412	3/8 X 1 1/4 Bolt
30	4	0017-00101-1572	1/2 X 2 1/2 Bolt
31	4	0017-00104-0377	3/8" Internal Lock Washer
32	2	0017-00101-1587	SHIELD RIVET
33	1	0017-00009-1019	3/4" Lock Collar
34	4	0017-00042-1041	HAMMER HEAD WASHER
35	1	0017-00103-0233	1/2" Thick Lock Nut
36	1	0017-00101-1441	7/16-14X72 UNS HEX BLT G8 ZN